



Cat[®] PF5

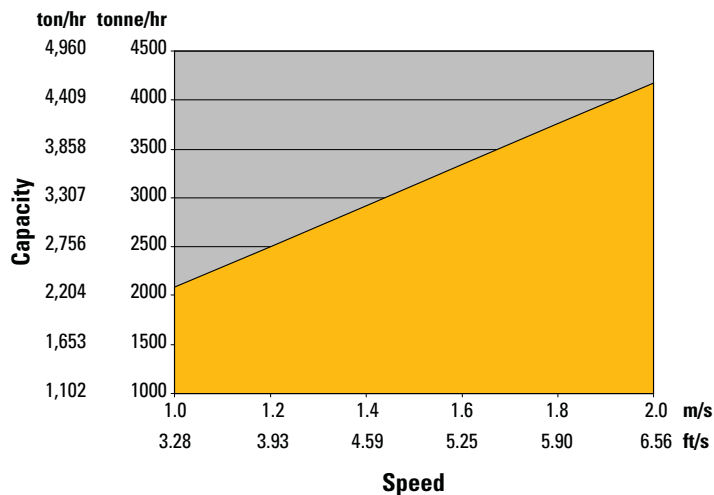
FACE CONVEYOR LINE PAN

Specifications

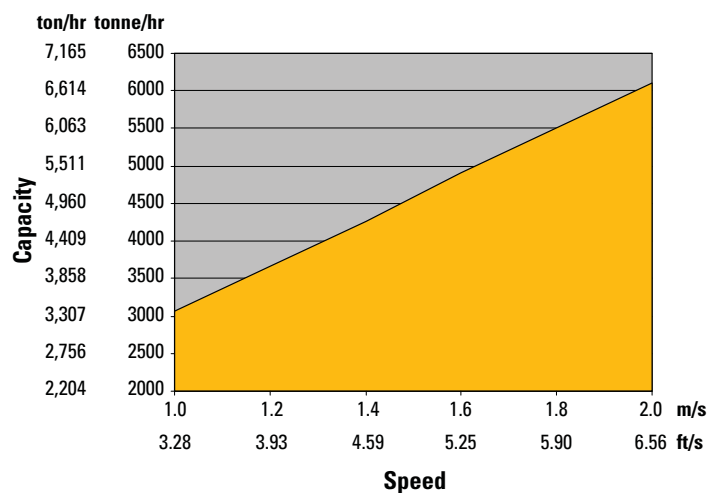
Technical Data

Line Pan Width			Dogbone Housing FoS	1.5 times	
PF5/1142	1142 mm	44.96 in	Shear Strength	> 6000 kN	> 674.42 tonf
PF5/1342	1342 mm	52.83 in	Vertical Articulation	up to ± 6°	
Flightbar Width			Horizontal Articulation	0.8°-1.2°	
PF5/1142	988 mm	38.89 in	Chain Strands	DKB 42×146	
PF5/1342	1188 mm	46.77 in		DKB 48×160/144	
Deck Plate Thickness	50 mm	1.96 in	Conveying Capacity		
Profile Height	318 mm	12.52 in	PF5/1142	0.58 m ²	6.24 ft ²
Bottom Plate Thickness	30 mm	1.18 in	PF5/1342	0.85 m ²	9.15 ft ²
Dogbone Breaking Strength	4500 kN	505.82 tonf			

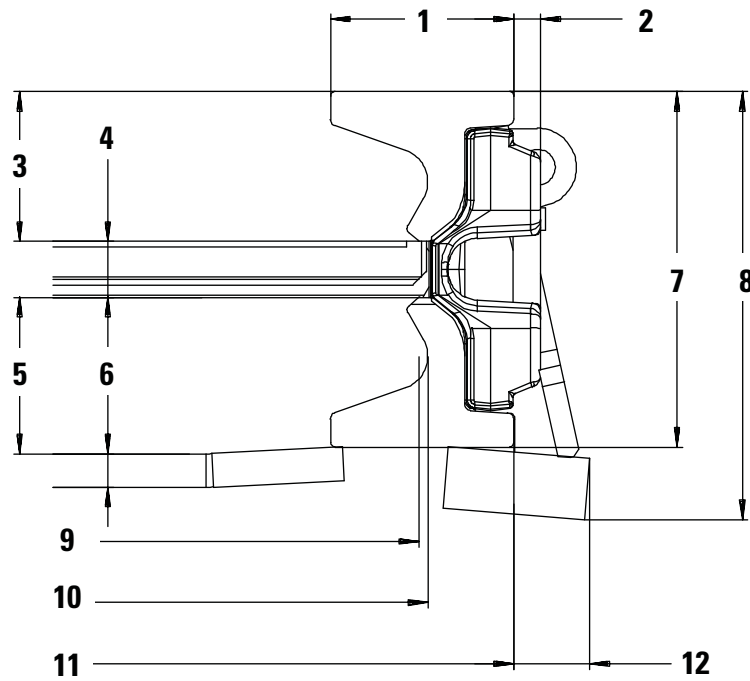
PF5/1142



PF5/1342



PF5 Face Conveyor Line Pan



Dimensions (All dimensions are approximate.)

	PF5/1142		PF5/1342	
1	164 mm	6.45 in	164 mm	6.45 in
2	24 mm	0.94 in	24 mm	0.94 in
3	134 mm	5.27 in	134 mm	5.27 in
4	50 mm	1.96 in	50 mm	1.96 in
5	140 mm	5.51 in	140 mm	5.51 in
6	30 mm	1.18 in	30 mm	1.18 in
7	318 mm	12.52 in	318 mm	12.52 in
8	383 mm	15.07 in	383 mm	15.07 in
9	976 mm	38.42 in	1176 mm	46.29 in
10	988 mm	38.89 in	1188 mm	46.77 in
11	1142 mm	44.96 in	1342 mm	52.83 in
12	68 mm	2.67 in	68 mm	2.67 in

For more complete information on Cat® products, dealer services, and industry solutions, visit us on the web at www.cat.com

AEHQ6952 (08-13)

© 2013 Caterpillar Inc.
All Rights Reserved
Printed in U.S.A.

Materials and specifications are subject to change without notice. Featured machines in photos may include additional equipment. See your Cat dealer for available options.

CAT, CATERPILLAR, SAFETY.CAT.COM, their respective logos, "Caterpillar Yellow" and the "Power Edge" trade dress, as well as corporate and product identity used herein, are trademarks of Caterpillar and may not be used without permission.

